



Resolution 0,01 mm = ±0,25 mm
Resolution to 0,001 mm = ±0,025 mm

6-decade LC display field, plus minus sign

Digit size 10 x 5 mm (H x L)

Combined analogue and numerical display

Glass scale with incremental divisions, capacitive

MI or MIE type: metric/inch conversion

≤ 2 N

≤ 2 m/s

Full-metal housing with front face in polyamide. Stainless steel plunger. M2,5 mounting thread for measuring insert.

RS232, opto-coupled

3V lithium battery type CR2032

1 year to 2 years

10°C to 40°C

-10°C to 60°C

~80 %

EN 50081-1
EN 50082-1

150 g

Transport case with 1 lithium battery 01961000

Identification number

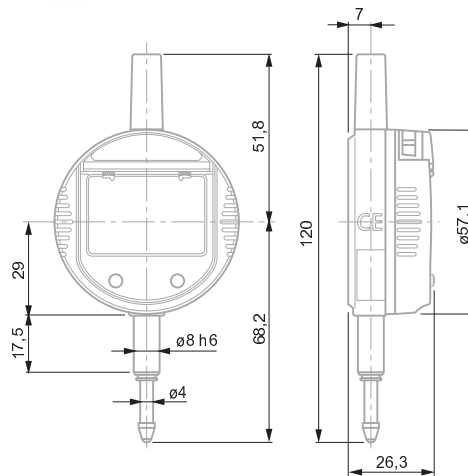
Inspection report with declaration of conformity

TESA DIGICO 205 / 305

- Dual LC Display, digital and analogue.
- Mechanical tolerance markers.
- Dimensions according to DIN 878.

Main functions

ON/Auto OFF – Data output – Counting sense reversal – Keypad lock.



| No | = | | | | | | |
|----------|---------------|------|-----|-------|---------|----|----|
| 01930230 | DIGICO 205 MI | 12,5 | 0.5 | 0,01 | 0.0005 | 20 | 10 |
| 01930231 | DIGICO 305 MI | 12,5 | 0.5 | 0,001 | 0.00005 | 8 | 2 |